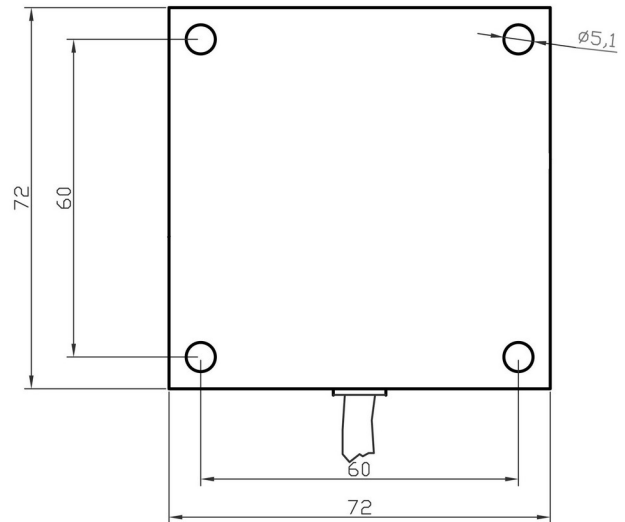



explosion protected Heating platform for Series S64



Item	130.99ex	
Length/ Width/ Height	70 mm / 70 mm / 17 mm	
Weight	190 g	
Nominal voltage	24 V DC	
Temperature measurement	PT1000	(brown, blue wire)
Energy consumption	max 12 W	(red, black wire)
Operating temperature	-25 °C to 40 °C	
Life time	> 60.000 h	
Maintenance	maintenance free	
Connection	four-core cable 1 mm ² , approx. 1.5 m	
Housing	anodized aluminum	
Protection class	IP 67 / 68	
Approvals		II 3G Ex mc IIC T4 Gx X II 3D Ex mc IIIC T130 °C Dc X